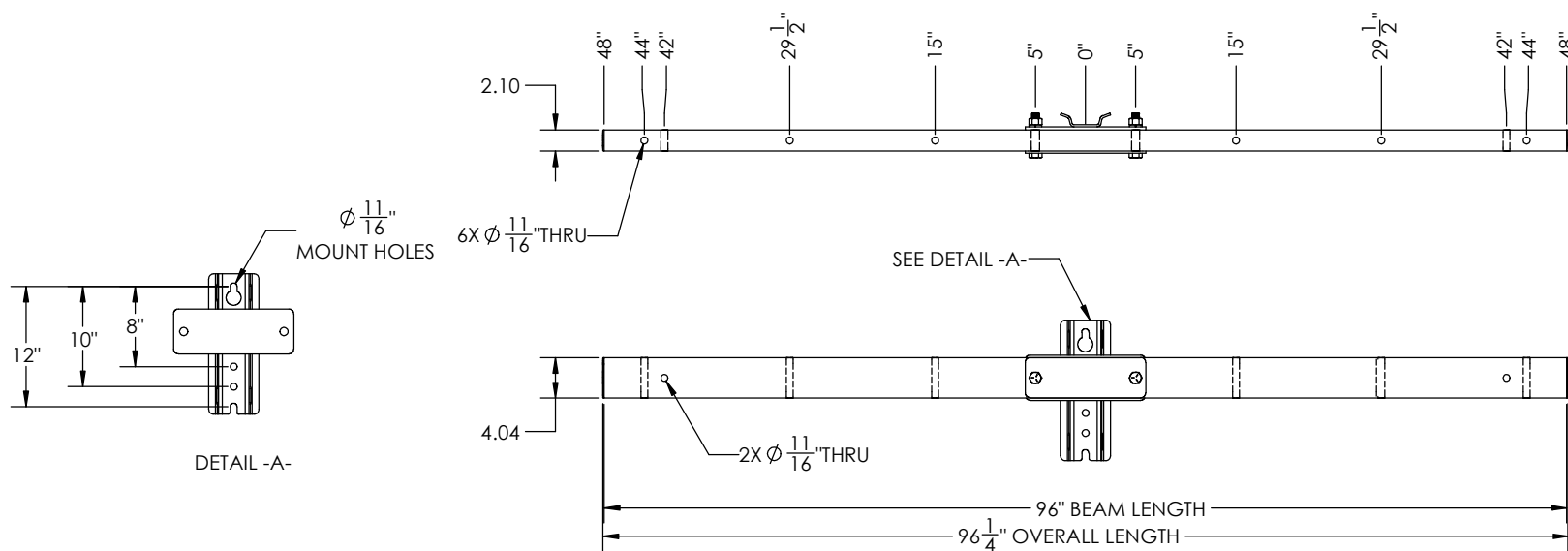


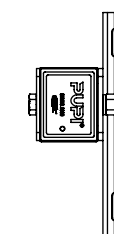
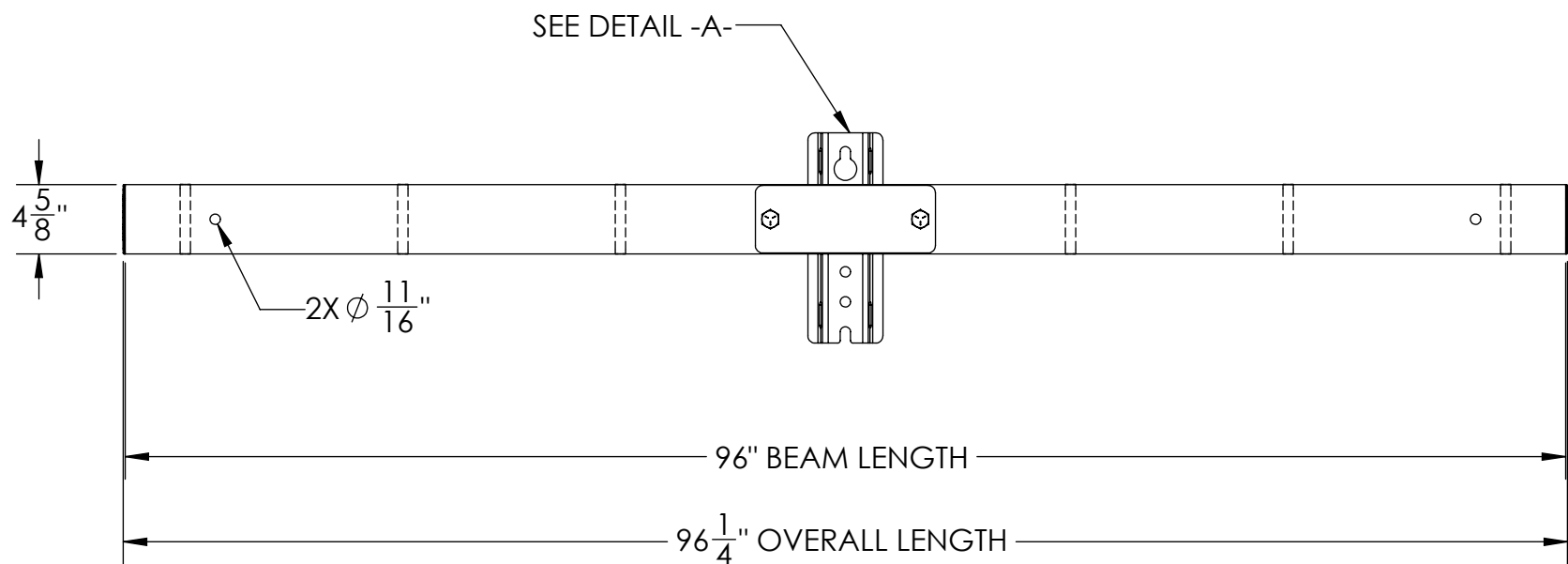
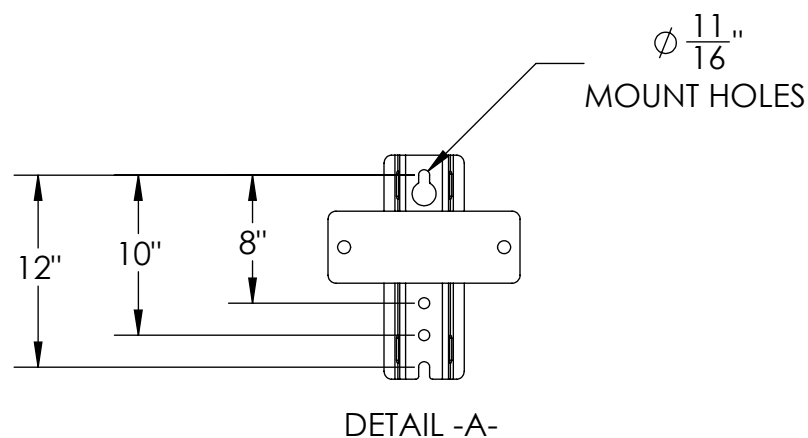
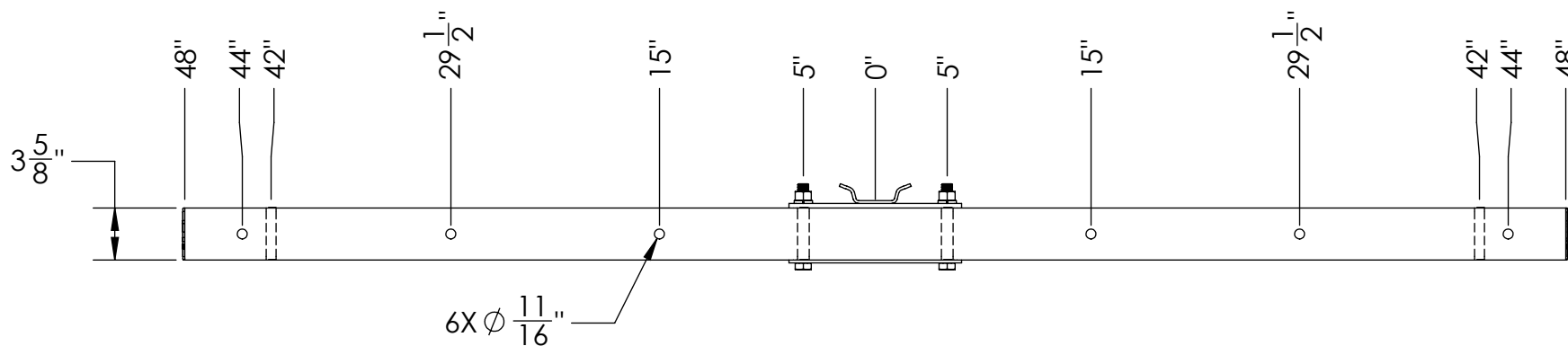
# REPRESENTATIVE OF SERIES 1000 ASSEMBLY



<p>---UNLESS OTHERWISE SPECIFIED--- DIMENSIONS ARE IN INCHES INTERPRET DIM AND TOL PER ASME Y14.5-2009</p>	STATE:	
	DRAWN:	2020-02-07
	CHECKED:	2017-04-06
	APPROVED:	
REPLACES:		
<p><b>PROPRIETARY AND CONFIDENTIAL</b> THE INFORMATION CONTAINED IN THIS DRAWING IS THE SOLE PROPERTY OF GEOTEK. ANY REPRODUCTION IN PART OR AS A WHOLE WITHOUT THE WRITTEN PERMISSION OF GEOTEK IS PROHIBITED.</p>	THIRD ANGLE PROJECTION	
CUSTOMER SIGNATURE:	DATE:	

	1421 SECOND AVE NW STEWARTVILLE, MN 55976 (800) 533-1680 www.geotekinc.com	
	DESCRIPTION: <b>TANGENT ASSEMBLY</b> 96 in, RUS 04	
SIZE: DWG. NO. <b>B TB100009604X-</b>	BEAM COLOR:	REV:
SCALE: 1:12   WEIGHT: 29 LBS	SHEET 1 OF 1	

# REPRESENTATIVE OF SERIES 2200, SERIES 2000, SERIES 2500, AND SERIES 3000 ASSEMBLIES



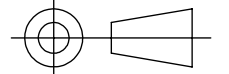
---UNLESS OTHERWISE SPECIFIED---  
DIMENSIONS ARE IN INCHES  
INTERPRET DIM AND TOL PER ASME Y14.5-2009

STATE:  
DRAWN: 2019-01-22  
CHECKED: 2019-01-22  
APPROVED:  
REPLACES:



1421 SECOND AVE NW  
STEWARTVILLE, MN 55976  
(800) 533-1680  
www.geotekinc.com

**PROPRIETARY AND CONFIDENTIAL**  
THE INFORMATION CONTAINED IN THIS DRAWING IS  
THE SOLE PROPERTY OF GEOTEK. ANY  
REPRODUCTION IN PART OR AS A WHOLE WITHOUT  
THE WRITTEN PERMISSION OF GEOTEK IS PROHIBITED.

THIRD ANGLE PROJECTION  


DESCRIPTION:  
**TANGENT ASSEMBLY**  
96 in, RUS 04

CUSTOMER SIGNATURE:

DATE:

SIZE: DWG. NO.  
**B TB----09604X-**

BEAM COLOR: REV:  
0.0

SCALE: 1:12 | WEIGHT: 41 LBS | SHEET 1 OF 1